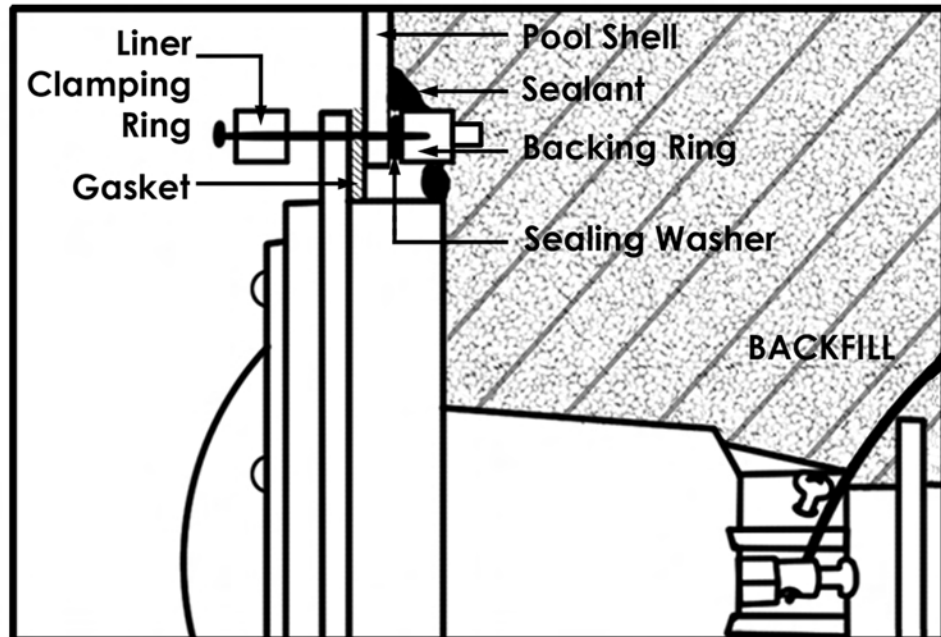
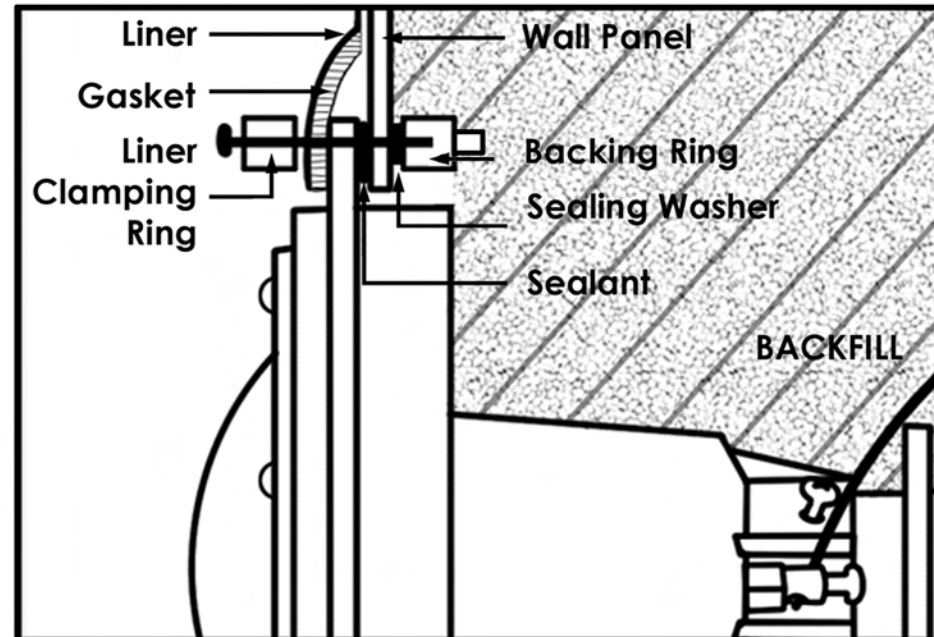


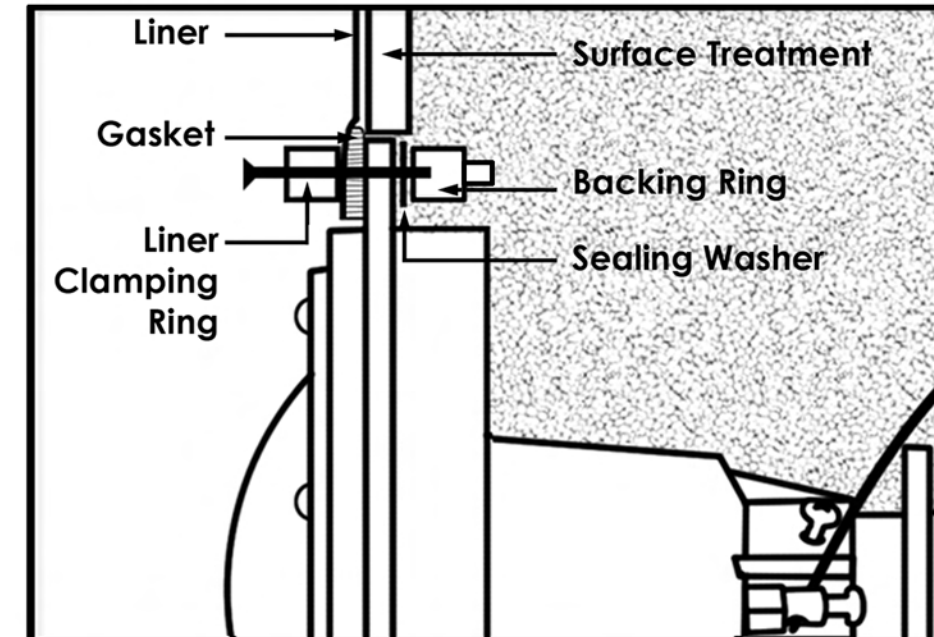
## Reinforced plastic/Fiberglass Pools



## Reinforced plastic, metal or wood panel pool with liner



## Liner pools with Concrete Wall



1. Determine where the light is to be positioned, mark hole using template overleaf, double check then cut or drill into wall panel.
2. Make sure orientation is correct.

3. Position the liner gasket to the rear face of the flange of the light body, trim to fit.
4. Sandwich pool wall between light body assembly and backing ring secure with pre-fixed screws.
5. Secure the light body assembly to the pool wall using the liner clamping ring using the 8 screws fixed through the backing ring.
6. Use additional sealant if necessary.

3. Place a band of sealant around the hole on the pool side of the hole in order to form a seal between the pool wall and the light fitting.
4. Sandwich pool wall panel between light body assembly and backing ring secure with pre-fixed screws.

3. Attach the backing ring to the body assembly

### Fitting the liner

1. Apply the liner gasket to the front face of the flange
2. Locate the position of the holes in the liner gasket.
3. Align the liner clamping ring with the holes of the liner gasket. Use template 2 if required. Secure it.
4. Carefully cut the liner material from the inside edge of the liner clamping ring.

After following these instructions continue with Deck Box and electrical installation as per main instructions.

# AT-A-GLANCE.....FITTING THE 'dekko' THIN WALL KIT